

...always the right accessories!

kwb®
GERMANY GMBH

NEW from kwb.



The 5 kwb tool cases

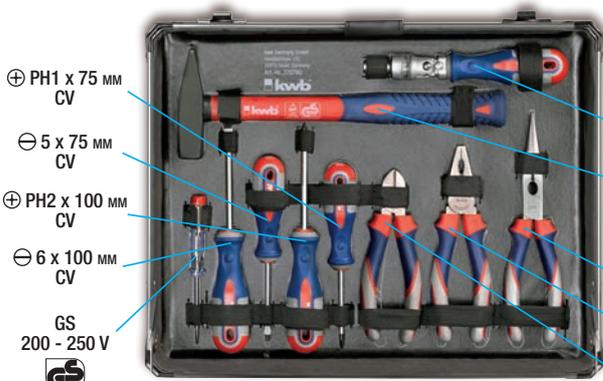
...the proper solution for any requirement.

...always the right accessories!

kwb[®]
GERMANY GMBH

129x


kwb
GERMANY GMBH
10
YEARS GUARANTEE



- ⊕ PH1 x 75 MM CV
- ⊖ 5 x 75 MM CV
- ⊕ PH2 x 100 MM CV
- ⊖ 6 x 100 MM CV
- GS 200 - 250 V

- ⊖ 2 MM - ⊕ PH00
- ⊖ 3 MM - ⊕ PH0
- ⊖ 4 MM - ⊕ PH1
- 1 x 4 x 110 MM
- 1/4"
- 300 g
- 220 MM CV
- 180 MM CV
- 160 MM CV



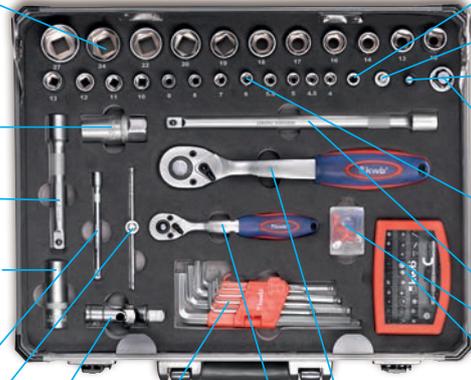
- 225 MM
- 5 m x 19 mm
- 11 x 1/2"
- 10, 13, 14, 16, 17, 18, 19, 20, 22, 24, 27 MM CV
- 1/2"
- 21 MM CV
- 1/2"
- 125 MM CV
- 1/2"
- 16 MM CV
- 1/4"
- 100 MM CV
- 1/4" CV
- 1/2" 75 MM CV
- 9 x 1.5, 2, 2.5, 3, 4, 5, 6, 8, 10 MM CV
- 1/4" CV
- 1/2" CV
- 1/2"
- 150 MM 4-6"
- 1x
- 240 MM CV
- 300 MM 1 MM/M

- 1/4" 25 MM CV
- 1/4" 45 MM CV
- 1/4" 50 MM CV
- 1/2" 45 MM CV
- 12 x 1/4"
- 4, 4.5, 5, 5.5, 6, 7, 8, 9, 10, 11, 12, 13 MM CV
- 1/2" 250 MM CV
- 16 x
- 32 x
- ⊖ 3, 4, 4.5, 5, 5.5, 6, 7 MM
- ⊕ PH0, PH1, PH2, PH3, PH4
- ⊕ PZ0, PZ1, PZ2, PZ3, PZ4
- 1.5, 2, 2.5, 3, 4, 5, 6 MM
- T10, T15, T20, T25, T27, T30
- 1x 60 MM
- 1x 1/4"



- 200 MM CV
- 8 x 8, 10, 11, 12, 13, 15, 17, 19 MM CV

- 150 MM
- 3x



- 1/4" 25 MM CV
- 1/4" 45 MM CV
- 1/4" 50 MM CV
- 1/2" 45 MM CV
- 12 x 1/4"
- 4, 4.5, 5, 5.5, 6, 7, 8, 9, 10, 11, 12, 13 MM CV
- 1/2" 250 MM CV
- 16 x
- 32 x
- ⊖ 3, 4, 4.5, 5, 5.5, 6, 7 MM
- ⊕ PH0, PH1, PH2, PH3, PH4
- ⊕ PZ0, PZ1, PZ2, PZ3, PZ4
- 1.5, 2, 2.5, 3, 4, 5, 6 MM
- T10, T15, T20, T25, T27, T30
- 1x 60 MM
- 1x 1/4"

11
KG

Tool case, 129pc. ★★★★★

The 129 piece tool case offers a wide spectrum of tools. Ideal for workshop startups, in sturdy aluminium case for easy transport.

Art.-No.	Description	Box qty.	Outer cart.	Barcode
370780	Tool case, 129pc.	2	2	4 009313 707800

Tool case



Tool case, 99pc.



The 99 piece tool case offers a wide spectrum of tools. Ideal for workshop startups, in sturdy aluminium case for easy transport.

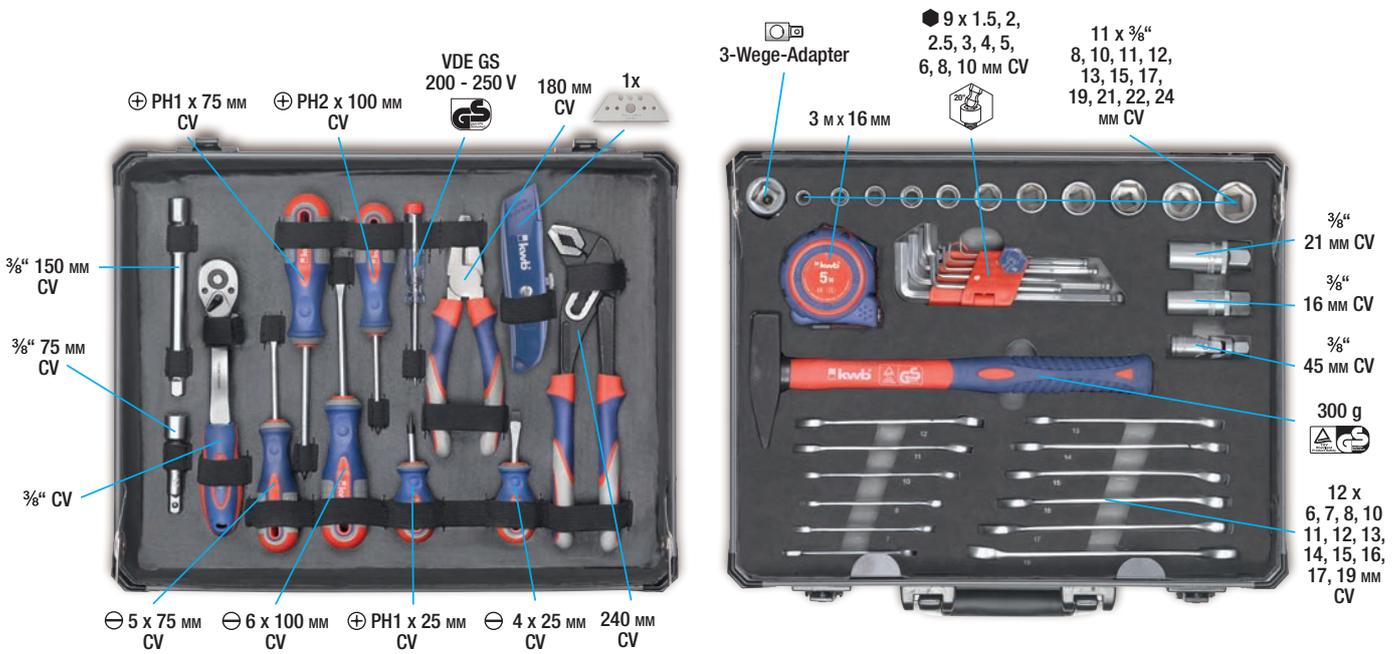
Art.-No.	Description	Box qty.	Outer cart.	Barcode
370760	Tool case, 99pc.	2	2	4 009313 707602

...always the right accessories!

kwb[®]
GERMANY GMBH

51x

kwb
GERMANY GMBH
10
YEARS GUARANTEE



7
KG

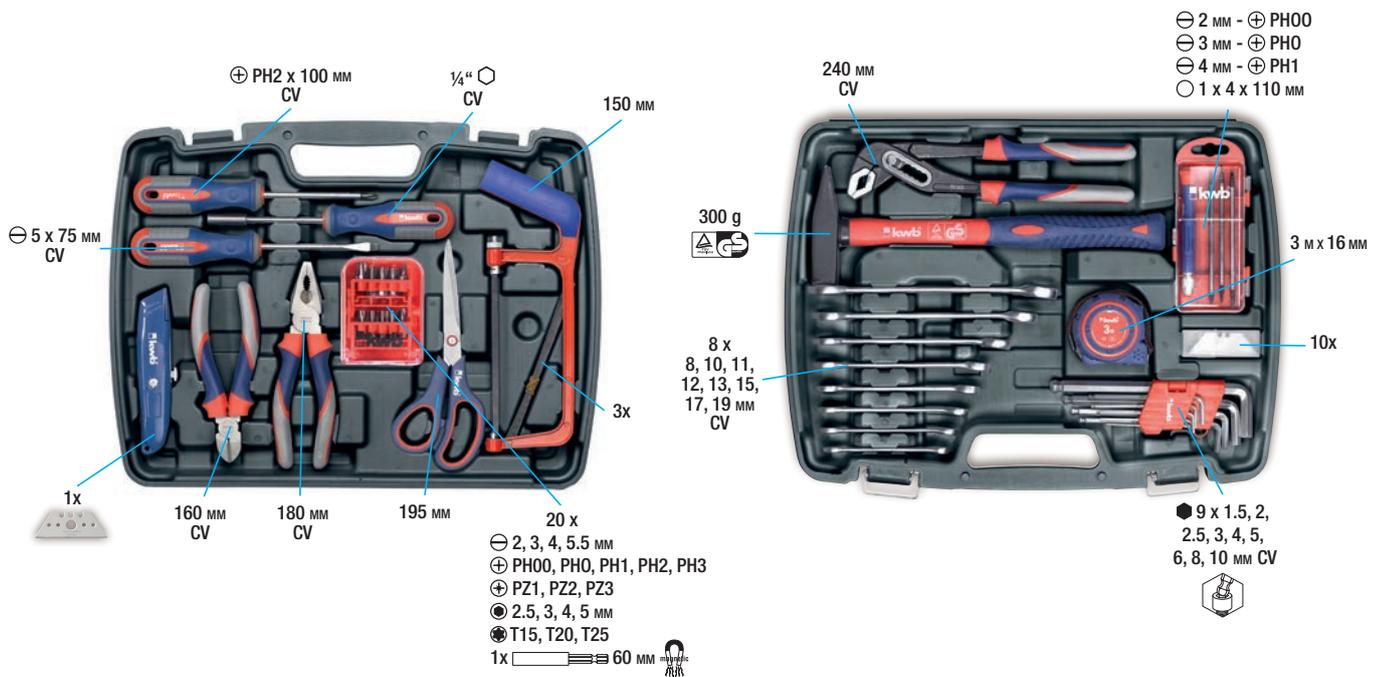
Tool case, 51pc.



The 51 piece tool case offers a wide spectrum of tools. Ideal for workshop startups, in sturdy aluminium case for easy transport.

Art.-No.	Description		Box qty.	Outer cart.	Barcode		
370740	Tool case, 51pc.		2	2		4 009313 707404	

Tool case



Tool case, 65pc.



The 65 piece tool case offers a wide spectrum of tools. Ideal for workshop start-ups, in a handy plastic case for easy transport.

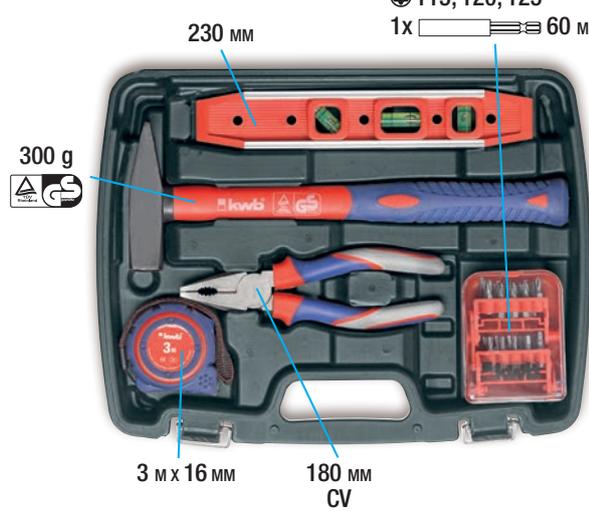
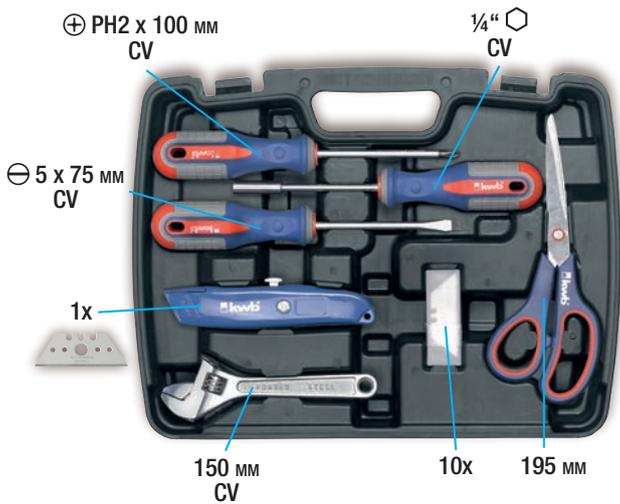
Art.-No.	Description		Box qty.	Outer cart.	Barcode
370730	Tool case, 65pc.		2	2	4 009313 707305

...always the right accessories!

kwb[®]
GERMANY GMBH



- 20 x
- ⊖ 2, 3, 4, 5.5 mm
- ⊕ PH00, PH0, PH1, PH2, PH3
- ⊕ PZ1, PZ2, PZ3
- ⊙ 2.5, 3, 4, 5 mm
- ⊙ T15, T20, T25
- 1x  60 mm



Tool case, 40pc.

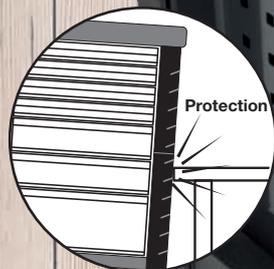
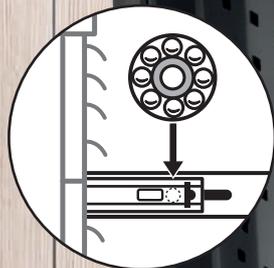


The 40 piece tool case offers a wide spectrum of tools. Ideal for workshop start-ups, in a handy plastic case for easy transport.

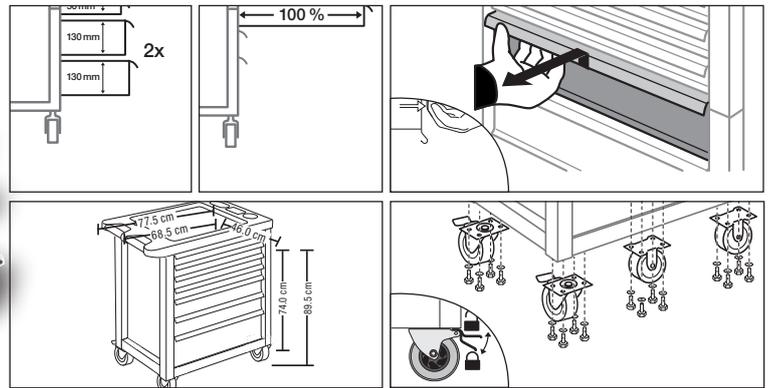
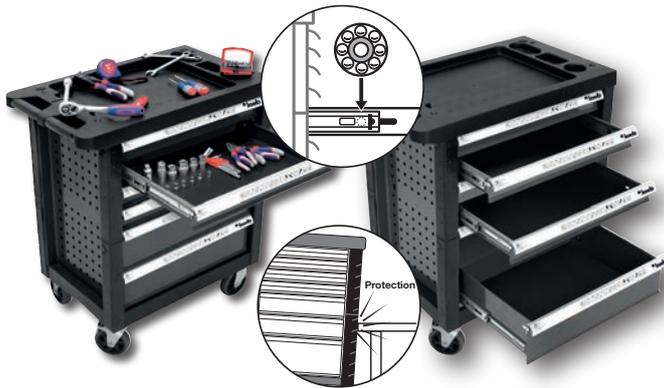
Art.-No.	Description		Box qty.	Outer cart.	Barcode		
370720	Tool case, 40pc.		2	2		4 009313 707206	

Workshop trolley

129x

...always the right accessories!



1 side cutter 160 mm, CV



1 combination pliers 180 mm, CV



1 waterpump pliers 240 mm, CV



1 radio/telephone pliers 200 mm, CV



1 crimping pliers 225 mm
16 cable ties



1 circlip pliers set 150 mm



1 set combination spanners 8-19 mm,
8 pc., CV



1 engineer's hammer 300 g



1 adjustable wrench 200 mm, CV



1 trimming knife



1 hexagon key wrench set 9 pc.,
1,5-10 mm, CV



1 tape measure 5 m x 19 mm



1 drive ratchet 1/2", CV
1 drive ratchet 1/4", CV



1 aluminum spirit level 300 mm



1 hand ratchet screwdriver 1/4"



1 junior hacksaw frame 150 mm
3 junior hacksaw blade set 150 mm



2 screwdrivers \oplus PH1, 75mm;
PH2 100 mm, CV



2 2 screwdrivers \ominus 5 x 75 mm;
6 x 100 mm, CV



32-piece bit set
 \ominus 3, 4, 4.5, 5, 5.5, 6, 7 mm
 \oplus PH0, PH1, PH2, PH3, PH4
 \oplus PZ0, PZ1, PZ2, PZ3, PZ4
 \bullet 1.5, 2, 2.5, 3, 4, 5, 6 mm
 \bullet T10, T15, T20, T25, T27, T30
1x 60 mm
1x 1/4"



1 voltage tester, 200-250 V



4 x precision screwdrivers
 \ominus 2 mm - \oplus PH00
 \ominus 3 mm - \oplus PH0
 \ominus 4 mm - \oplus PH1
 \circ 1 x 4 x 110 mm



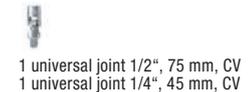
11 drive socket set 1/2",
10-27 mm, CV



12 drive socket set 1/4",
4-13 mm, CV



1 drive spark plug socket 1/2",
16 mm, CV



1 universal joint 1/2", 75 mm, CV
1 universal joint 1/4", 45 mm, CV



1 extension 1/2", 250 mm, CV
1 extension 1/2", 125 mm, CV
1 extension 1/4", 100 mm, CV
1 extension 1/4", 50 mm, CV



1 adaptor 30 mm for using sockets
with hand ratchet screwdriver, CV



1 3-way adapter, CV, for 1/2"
T-hinge



1 sliding tee bar 1/4", CV

Workshop trolley incl. 129-part kwb tool set



Sturdy and flexible workshop trolley with rugged steel sheet frame incl. 129-part tool set and storage for accessories for stationary or mobile use in workshop and garage. Thanks to the different height of the 6 fully retractable and lockable ball bearing drawers with anti-slip inlay in each drawer, the tools can be neatly placed for any working situation. In addition, the 6 drawers can be locked via central lock to safeguard the valuable content. The additional anti-slip plate on the top of the workshop trolley allows for use as work bench for mobile applications, or to hold the necessary equipment. Thanks to the 4 large and smooth running wheels (2 steerable and 2 with fixing brake) this mobile tool cabinet is quickly available at any time. The maximum load of the empty workshop trolley is 150 kg.

Technical data:

Load: max. 150 kg
Drawer height: 4 x 50 mm, 2 x 130 mm
Product weight: 54,04 kg

Art.-No.	Description	Box qty.	Outer cart.	Barcode
375400	Workshop trolley incl. 129-part kwb tool set	1	1	4 009313 175400 2